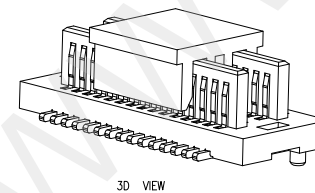
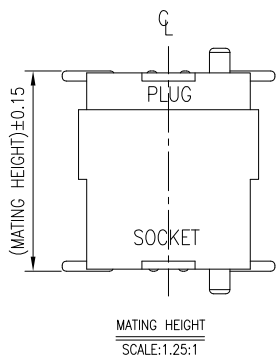
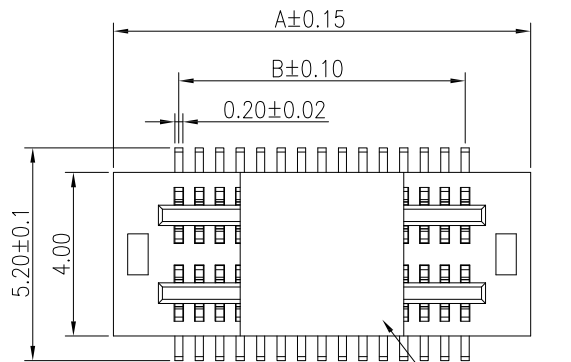
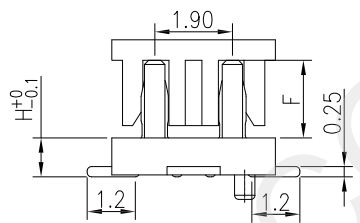
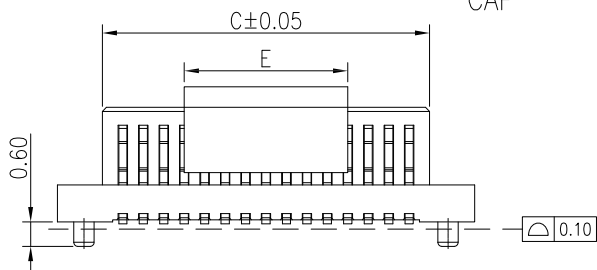


NOTES:

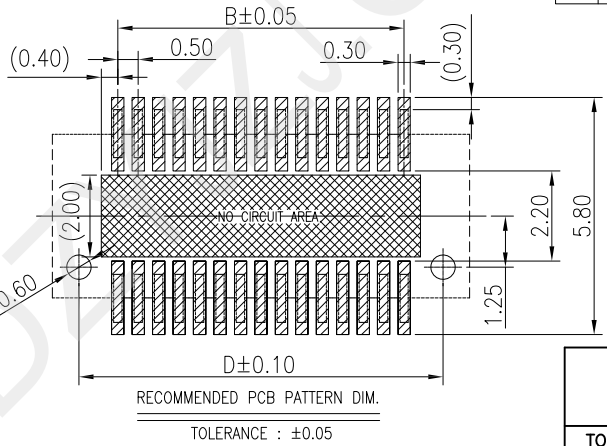
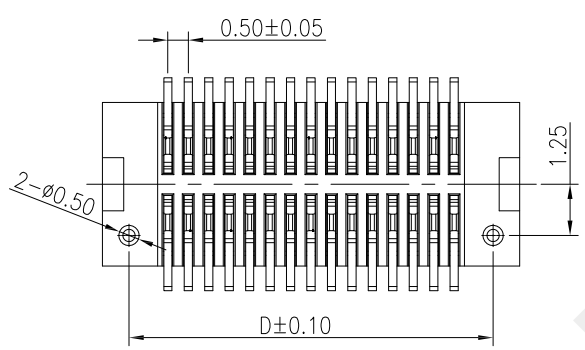
- 1.HUOSING: PA9T HIGH-TEMP THERMOPLASTIC UL94V-0 COLOR:BLACK
- 2.TERMINAL:PHOSPHOR BRONZE
PLATING:1μ" GOLD FLASH OVERALL 50~100μ" NICKEL UNDER PLATED.
3. Operating Temperature: -25C~105C



3D VIEW

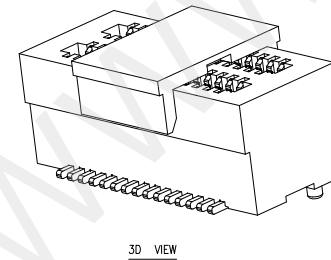
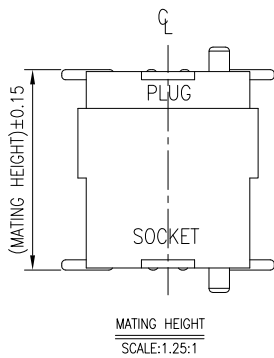
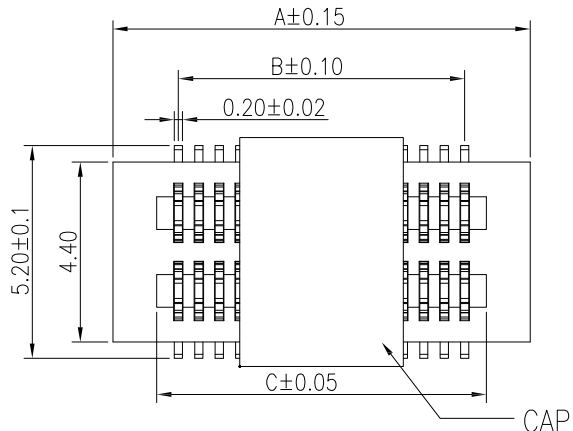


MATING HEIGHT	PLUG (H.)	SOCKET (H.)	F	NO.of contacts	Dimensions					No.of contacts	Dimensions				
					A.	B.	C.	D.	E.		A.	B.	C.	D.	E.
3.0	0.8	2.2	1.6	4	3.70	0.50	1.56	2.40		54	16.20	13.00	14.06	14.90	
3.5	1.3	2.2	1.6	6	4.20	1.00	2.06	2.90		56	16.70	13.50	14.56	15.40	
4.0	1.0	3.0	1.9	8	4.70	1.50	2.56	3.40		58	17.20	14.00	15.06	15.90	
4.5	1.0	3.5	1.9	10	5.20	2.00	3.06	3.90		60	17.70	14.50	15.56	16.40	
5.0	1.0	4.0	1.9	12	5.70	2.50	3.56	4.40		62	18.20	15.00	16.06	16.90	
5.5	1.0	4.5	1.9	14	6.20	3.00	4.06	4.90		64	18.70	15.50	16.56	17.40	
6.0	2.0	4.0	1.9	16	6.70	3.50	4.56	5.40		66	19.20	16.00	17.06	17.90	
6.5	2.0	4.5	1.9	18	7.20	4.00	5.06	5.90		68	19.70	16.50	17.56	18.40	
				20	7.70	4.50	5.56	6.40	4.00	70	20.20	17.00	18.06	18.90	
				22	8.20	5.00	6.06	6.90		72	20.70	17.50	18.56	19.40	
				24	8.70	5.50	6.56	7.40		74	21.20	18.00	19.06	19.90	
				26	9.20	6.00	7.06	7.90		76	21.70	18.50	19.56	20.40	
				28	9.70	6.50	7.56	8.40		78	22.20	19.00	20.06	20.90	
				30	10.20	7.00	8.06	8.90		80	22.70	19.50	20.56	21.40	
				32	10.70	7.50	8.56	9.40		82	23.20	20.00	21.06	21.90	
				34	11.20	8.00	9.06	9.90		84	23.70	20.50	21.56	22.40	
				36	11.70	8.50	9.56	10.40	8.00	86	24.20	21.00	22.06	22.90	
				38	12.20	9.00	10.06	10.90		88	24.70	21.50	22.56	23.40	
				40	12.70	9.50	10.56	11.40		90	25.20	22.00	23.06	23.90	
				42	13.20	10.00	11.06	11.90		92	25.70	22.50	23.56	24.40	
				44	13.70	10.50	11.56	12.40		94	26.20	23.00	24.06	24.90	
				46	14.20	11.00	12.06	12.90		96	26.70	23.50	24.56	25.40	
				48	14.70	11.50	12.56	13.40		98	27.20	24.00	25.06	25.90	
				50	15.20	12.00	13.06	13.90		100	27.70	24.50	25.56	26.40	



深圳市华宇创精密电子有限公司

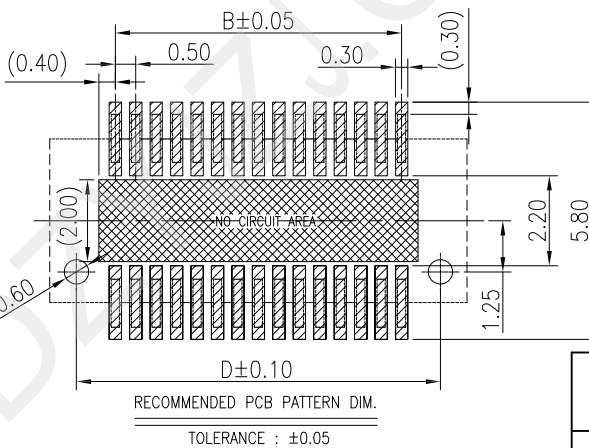
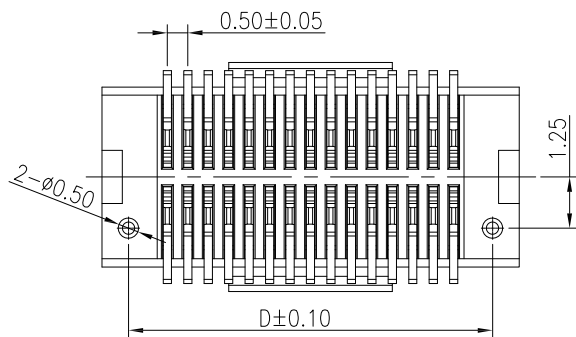
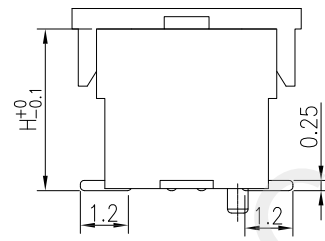
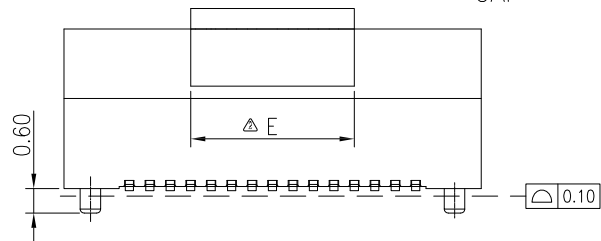
TOLERANCE: X.X ±0.30 X.XX ±0.25 X.XXX ±0.15 X.' ±2' X.X' ±0.5'	DRAWN BY : 陈一鸣	DATE : 2014-02-23	PART NAME: 0.5PH 双槽BTB 公座
	CHECKED BY: 马跃	DATE : 2014-02-23	PART NO. HVC8M-BTB2XN-XXX
UNIT: mm [inch] SCALE:1:1 SIZE: A4	APPROVED BY: 邱敏	DATE : 2014-02-23	DRAW NO.: HVC-2210182232
			SHEET NO. 1 OF 1



3D VIEW

NOTES:

- 1.HOUSING: PA9T HIGH-TEMP THERMOPLASTIC UL94V-0 COLOR:BLACK
- 2.TERMINAL:PHOSPHOR BRONZE
PLATING:1μ" GOLD FLASH OVERALL 50~100μ" NICKEL UNDER PLATED.
3. Operating Temperature: -25C°~105C°

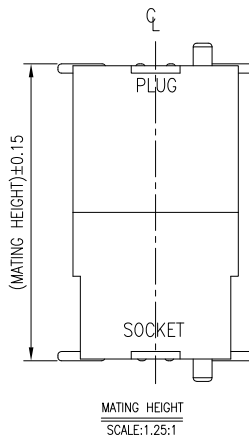
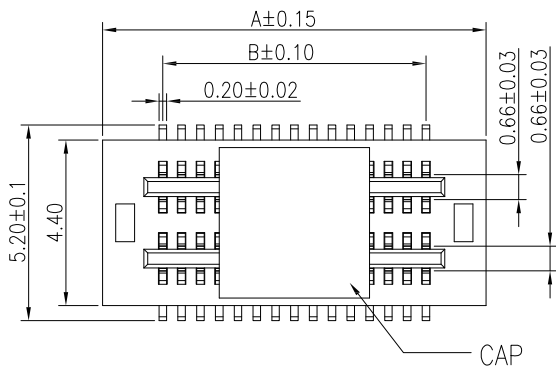


MATING HEIGHT	PLUG (H.)	SOCKET (H.)	NO.of contacts	Dimensions					NO.of contacts	Dimensions				
				A.	B.	C.	D.	E.		A.	B.	C.	D.	E.
3.0	0.8	2.2	4	3.70	0.50	1.56	2.40		54	16.20	13.00	14.06	14.90	
3.5	1.3	2.2	6	4.20	1.00	2.06	2.90		56	16.70	13.50	14.56	15.40	
4.0	1.0	3.0	8	4.70	1.50	2.56	3.40		58	17.20	14.00	15.06	15.90	
4.5	1.0	3.5	10	5.20	2.00	3.06	3.90		60	17.70	14.50	15.56	16.40	
5.0	1.0	4.0	12	5.70	2.50	3.56	4.40		62	18.20	15.00	16.06	16.90	
5.5	1.0	4.5	14	6.20	3.00	4.06	4.90		64	18.70	15.50	16.56	17.40	
6.0	2.0	4.0	16	6.70	3.50	4.56	5.40		66	19.20	16.00	17.06	17.90	
6.5	2.0	4.5	18	7.20	4.00	5.06	5.90		68	19.70	16.50	17.56	18.40	
			20	7.70	4.50	5.56	6.40	4.00	70	20.20	17.00	18.06	18.90	
			22	8.20	5.00	6.06	6.90		72	20.70	17.50	18.56	19.40	
			24	8.70	5.50	6.56	7.40		74	21.20	18.00	19.06	19.90	
			26	9.20	6.00	7.06	7.90		76	21.70	18.50	19.56	20.40	
			28	9.70	6.50	7.56	8.40		78	22.20	19.00	20.06	20.90	
			30	10.20	7.00	8.06	8.90		80	22.70	19.50	20.56	21.40	
			32	10.70	7.50	8.56	9.40		82	23.20	20.00	21.06	21.90	
			34	11.20	8.00	9.06	9.90		84	23.70	20.50	21.56	22.40	
			36	11.70	8.50	9.56	10.40		86	24.20	21.00	22.06	22.90	
			38	12.20	9.00	10.06	10.90		88	24.70	21.50	22.56	23.40	
			40	12.70	9.50	10.56	11.40	8.00	90	25.20	22.00	23.06	23.90	
			42	13.20	10.00	11.06	11.90		92	25.70	22.50	23.56	24.40	
			44	13.70	10.50	11.56	12.40		94	26.20	23.00	24.06	24.90	
			46	14.20	11.00	12.06	12.90		96	26.70	23.50	24.56	25.40	
			48	14.70	11.50	12.56	13.40		98	27.20	24.00	25.06	25.90	
			50	15.20	12.00	13.06	13.90		100	27.70	24.50	25.56	26.40	



深圳市华宇创精密电子有限公司

TOLERANCE: X.X ±0.30 X.XX ±0.25 X.XXX ±0.15 X' ±2' X.X' ±0.5'	DRAWN BY : 陈一鸣	DATE : 2014-02-23	PART NAME: 0.5PH 双槽BTB 母座
	CHECKED BY: 马跃	DATE : 2014-02-23	PART NO. HYC8F-BTB2XN-XXX
UNIT: mm [inch] SCALE:1:1 SIZE: A4	APPROVED BY: 邱敏	DATE : 2014-02-23	DRAW NO: HYC-2210182232
			SHEET NO. 1 OF 1

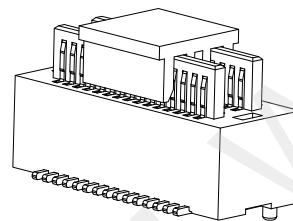


NOTES:

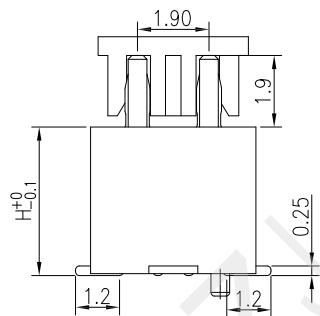
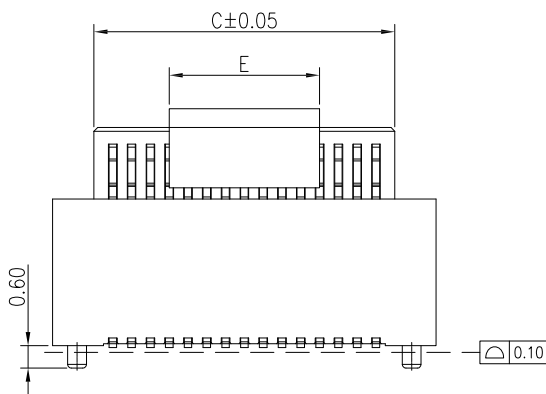
- 1.HUOSING: PA9T HIGH-TEMP THERMOPLASTIC UL94V-0 COLOR:BLACK
- 2.TERMINAL:PHOSPHOR BRONZE
PLATING:1μ" GOLD FLASH OVERALL 50~100μ" NICKEL UNDER PLATED.
3. Operating Temperature: -25°C~105°C

SPECIFICATIONS

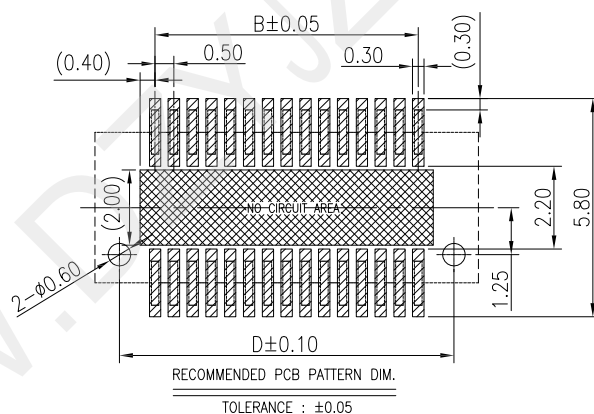
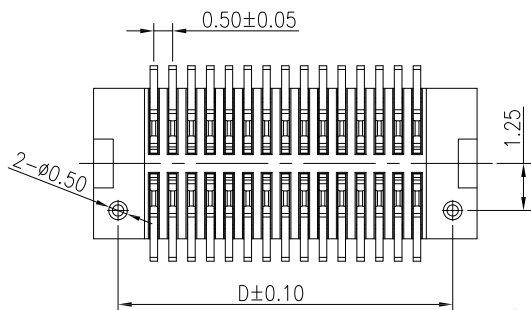
1. Voltage rating:60V DC
2. Current rating: 0.5A Max.
3. Operating Temperature: - 25°C to +85°C
4. Contact Resistance: 60mΩ Max.
5. Insulation Resistance: 300V DC
6. withstanding Voltage: 500V AC/minute



3D VIEW



MATING HEIGHT	PLUG (H.)	SOCKET (H.)	NO.of contacts	Dimensions					NO.of contacts	Dimensions			
				A.	B.	C.	D.	E.		A.	B.	C.	D.
7.0	4.0	3.0	4	3.70	0.50	1.50	2.40		54	16.20	13.00	14.00	14.90
			6	4.20	1.00	2.00	2.90		56	16.70	13.50	14.50	15.40
7.5	4.0	3.5	8	4.70	1.50	2.50	3.40		58	17.20	14.00	15.00	15.90
			10	5.20	2.00	3.00	3.90		60	17.70	14.50	15.50	16.40
8.0	4.0	4.0	12	5.70	2.50	3.50	4.40		62	18.20	15.00	16.00	16.90
			14	6.20	3.00	4.00	4.90		64	18.70	15.50	16.50	17.40
			16	6.70	3.50	4.50	5.40		66	19.20	16.00	17.00	17.90
			18	7.20	4.00	5.00	5.90		68	19.70	16.50	17.50	18.40
			20	7.70	4.50	5.50	6.40		70	20.20	17.00	18.00	18.90
			22	8.20	5.00	6.00	6.90		72	20.70	17.50	18.50	19.40
			24	8.70	5.50	6.50	7.40		74	21.20	18.00	19.00	19.90
			26	9.20	6.00	7.00	7.90		76	21.70	18.50	19.50	20.40
			28	9.70	6.50	7.50	8.40		78	22.20	19.00	20.00	20.90
			30	10.20	7.00	8.00	8.90		80	22.70	19.50	20.50	21.40
			32	10.70	7.50	8.50	9.40		82	23.20	20.00	21.00	21.90
			34	11.20	8.00	9.00	9.90		84	23.70	20.50	21.50	22.40
			36	11.70	8.50	9.50	10.40		86	24.20	21.00	22.00	22.90
			38	12.20	9.00	10.00	10.90		88	24.70	21.50	22.50	23.40
			40	12.70	9.50	10.50	11.40		90	25.20	22.00	23.00	23.90
			42	13.20	10.00	11.00	11.90		92	25.70	22.50	23.50	24.40
			44	13.70	10.50	11.50	12.40		94	26.20	23.00	24.00	24.90
			46	14.20	11.00	12.00	12.90		96	26.70	23.50	24.50	25.40
			48	14.70	11.50	12.50	13.40		98	27.20	24.00	25.00	25.90
			50	15.20	12.00	13.00	13.90		100	27.70	24.50	25.50	26.40
			52	15.70	12.50	13.50	14.40						



深圳市华宇创精密电子有限公司

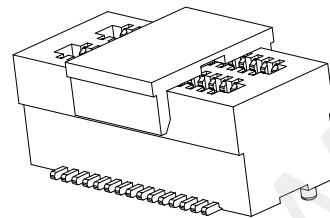
TOLERANCE: X.X ±0.30 X.XX ±0.25 X.XXX ±0.15 X.' ±2' X.X' ±0.5' UNIT: mm [inch] SCALE:1:1 SIZE: A4	DRAWN BY : 陈一鸣	DATE : 2014-02-23	PART NAME: 0.5PH 双槽BTB 公座
	CHECKED BY: 马跃	DATE : 2014-02-23	PART NO. HVC8M-BTB2XN-XXX
	APPROVED BY: 邱敏	DATE : 2014-02-23	DRAW NO: HVC-2210182232
			SHEET NO. 1 OF 1

NOTES:

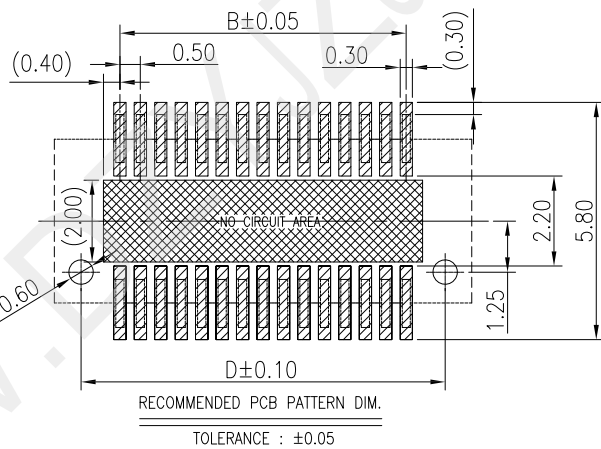
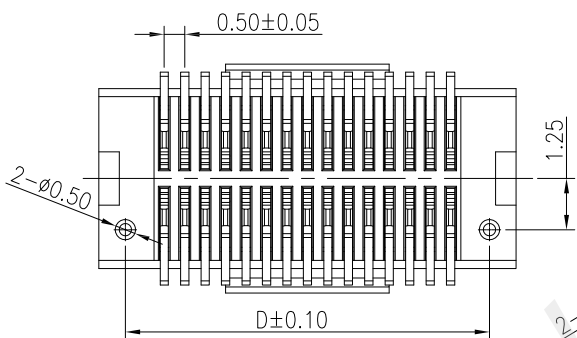
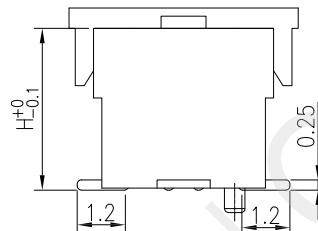
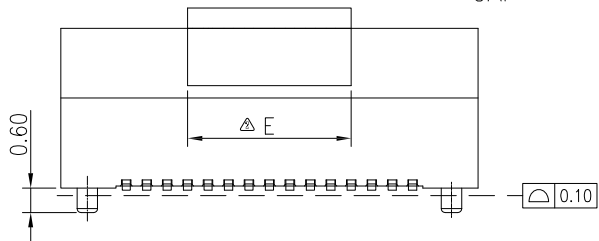
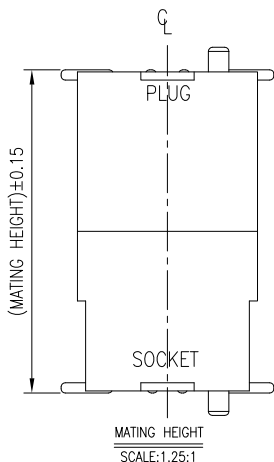
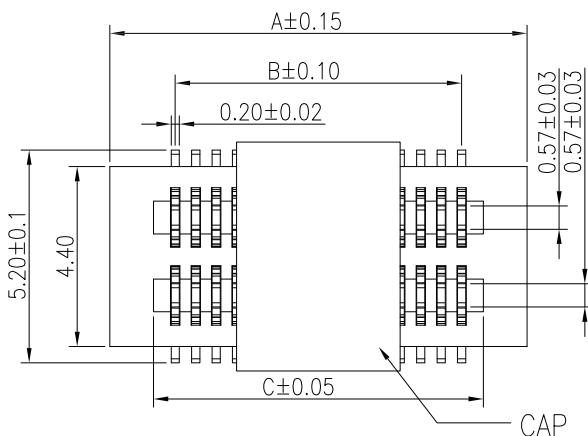
- HUOSING: PA9T HIGH-TEMP THERMOPLASTIC UL94V-0 COLOR:BLACK
- TERMINAL:PHOSPHOR BRONZE
PLATING:1μ" GOLD FLASH OVERALL 50~100μ" NICKEL UNDER PLATED.
- Operating Temperature: -25°C~105°C

SPECIFICATIONS

- Voltage rating:60V DC
- Current rating: 0.5A Max.
- Operating Temperature: - 25°C to +85°C
- Contact Resistance: 60mΩ Max.
- Insulation Resistance: 300V DC
- withstanding Voltage: 500V AC/minute



3D VIEW



MATING HEIGHT	PLUG (H.)	SOCKET (H.)	NO.of contacts	Dimensions					NO.of contacts	Dimensions				
				A.	B.	C.	D.	E.		A.	B.	C.	D.	E.
7.0	4.0	3.0	4	3.70	0.50	1.56	2.40		54	16.20	13.00	14.06	14.90	
			6	4.20	1.00	2.06	2.90		56	16.70	13.50	14.56	15.40	
7.5	4.0	3.5	8	4.70	1.50	2.56	3.40		58	17.20	14.00	15.06	15.90	
			10	5.20	2.00	3.06	3.90		60	17.70	14.50	15.56	16.40	
8.0	4.0	4.0	12	5.70	2.50	3.56	4.40		62	18.20	15.00	16.06	16.90	
			14	6.20	3.00	4.06	4.90		64	18.70	15.50	16.56	17.40	
			16	6.70	3.50	4.56	5.40		66	19.20	16.00	17.06	17.90	
			18	7.20	4.00	5.06	5.90		68	19.70	16.50	17.56	18.40	
			20	7.70	4.50	5.56	6.40		70	20.20	17.00	18.06	18.90	
			22	8.20	5.00	6.06	6.90		72	20.70	17.50	18.56	19.40	
			24	8.70	5.50	6.56	7.40		74	21.20	18.00	19.06	19.90	
			26	9.20	6.00	7.06	7.90		76	21.70	18.50	19.56	20.40	
			28	9.70	6.50	7.56	8.40		78	22.20	19.00	20.06	20.90	
			30	10.20	7.00	8.06	8.90		80	22.70	19.50	20.56	21.40	
			32	10.70	7.50	8.56	9.40		82	23.20	20.00	21.06	21.90	
			34	11.20	8.00	9.06	9.90		84	23.70	20.50	21.56	22.40	
			36	11.70	8.50	9.56	10.40		86	24.20	21.00	22.06	22.90	
			38	12.20	9.00	10.06	10.90		88	24.70	21.50	22.56	23.40	
			40	12.70	9.50	10.56	11.40		90	25.20	22.00	23.06	23.90	
			42	13.20	10.00	11.06	11.90		92	25.70	22.50	23.56	24.40	
			44	13.70	10.50	11.56	12.40		94	26.20	23.00	24.06	24.90	
			46	14.20	11.00	12.06	12.90		96	26.70	23.50	24.56	25.40	
			48	14.70	11.50	12.56	13.40		98	27.20	24.00	25.06	25.90	
			50	15.20	12.00	13.06	13.90		100	27.70	24.50	25.56	26.40	
			52	15.70	12.50	13.56	14.40							

深圳市华宇创精密电子有限公司

TOLERANCE: X.X ±0.30 X.XX ±0.25 X.XXX ±0.15 X' ±2' X.X' ±0.5'	DRAWN BY : 陈一鸣	DATE : 2014-02-23	PART NAME: 0.5PH 双槽BTB 母座
	CHECKED BY: 马跃	DATE : 2014-02-23	PART NO. HVC8F-BTB2XN-XXX
UNIT: mm [inch] SCALE:1:1 SIZE: A4	APPROVED BY: 邱敏	DATE : 2014-02-23	DRAW NO: HVC-2210182232
			SHEET NO. 1 OF 1